

# INSTALLATION INSTRUCTIONS – BED RAIL CAP



## Genuine Parts

### INSTALLATION INSTRUCTIONS

**1. DESCRIPTION:** Bed Rail Cap Kit

**2. APPLICATION:** Frontier - King Cab

**3. PART NUMBER:** 999T1-BZ200KC

**4. KIT CONTENTS:**

| <u>Item No.</u> | <u>Qty</u> | <u>Description</u>                             |
|-----------------|------------|--|
| 1)              | 1          | RH Cap   |
| 2)              | 1          | LH Cap   |
| 3)              | 1          | Installation Instructions Replacement Template |

**5. TOOLS REQUIRED:**

- Clean Cloth
- 100% Alcohol Solution
- J-Roller

**6. INSTALLATION PRECAUTIONS / NOTES:**

1. Do not remove tape backer until instructed to do so.
2. There are no apparent features on these parts to be used as easy reference to the truck bed area where they are located, therefore use caution when applying.
3. Clean the sheet metal of any dirt and apply a 100% alcohol solution.  
***CAUTION: Some plastic surfaces may become damaged if contacted by alcohol. Cover and protect the taillight lenses. If alcohol does come into contact with the lenses, immediately wash the surface with water.***
4. **Critical:** Using a clean dry cloth to wipe the surface dry of any solution or dirt. Vehicle surface must be completely dry before installation.
5. **Critical:** Vehicle and molding must be between 60 and 110 degrees F before installation.
6. Do not wash or expose vehicle to wet environment for 24hrs after installation.

# INSTALLATION INSTRUCTIONS – BED RAIL CAP

## 7. INSTALLATION PROCEDURE:

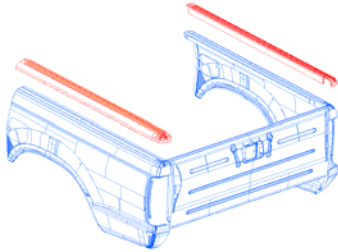


Illustration 1

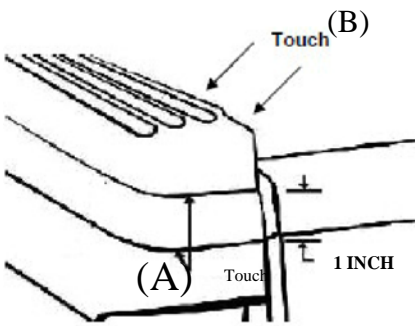


Illustration 2

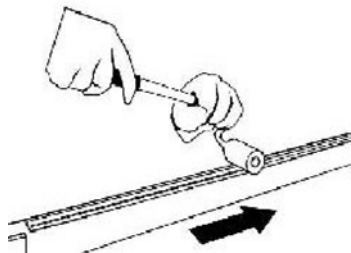
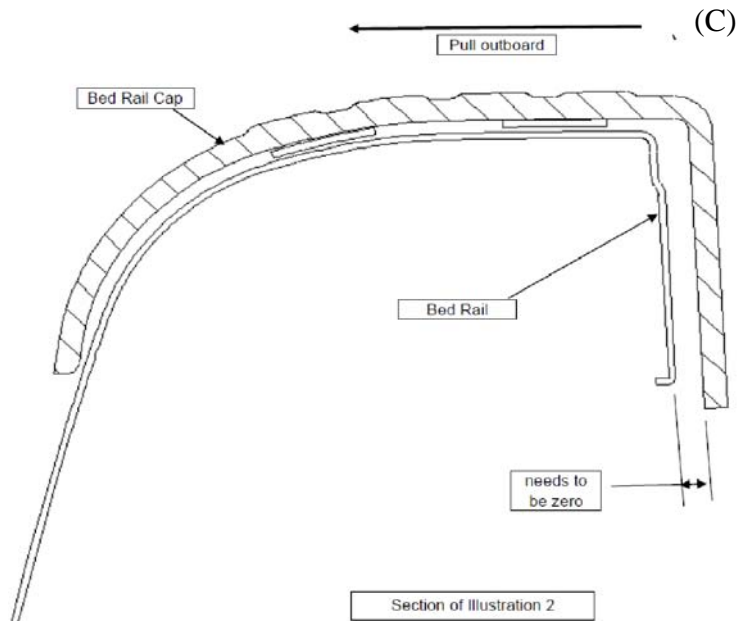


Illustration 3

## Boxtop Instructions

- 1 Place the LH and RH Bed Rail Caps onto the Side Rails. See *Illustration 1*.
- 2 The LH and RH Bed Rail Caps will locate on the rearward and inboard surfaces to the Bed Rails. After proper installation, the Bed Rail Caps should be net to the sheet metal as shown in *Illustration 2*.
- 3 Peel tape liner from LH Cap and position the part so it is slightly above the Bed rail. Lower the back end of the part down onto the Bed Rail so the back end of the Cap will locate to the rear of the Bed Rail (A). Push forward and lower the front of the Cap while using the inboard side of the Bed Rail to locate (B). Once in place, pull outboard to insure flush fit to inside Bed Rail (C). (See section below).



- 4 Starting at the rear end of the vehicle, position the roller over the Bed Rail Cap and apply downward pressure. Gradually move the roller forward the length of the Bed Rail Cap and then back to the rear. See *Illustration 3*.
- 5 Repeat steps 3 and 4 for the RH Bed Rail Cap.

